

Standard Hand Wheels for Gear Valves

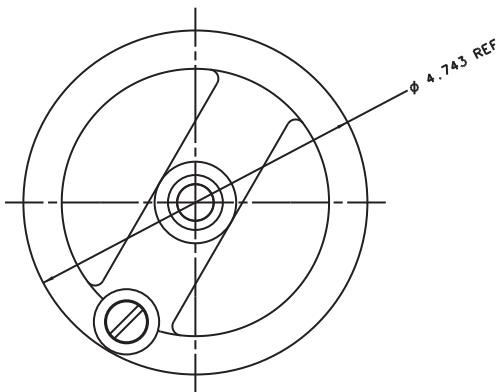


GWR-6.5

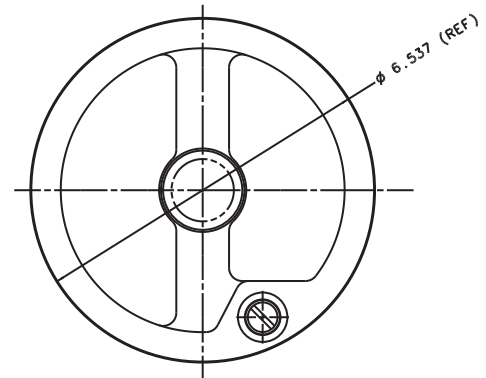
Panel mount and direct hand wheels for operating any gear driven valve.

MODEL	GWR-5	GWR-6.5	GWD-5	GWD-6.5
Part number	81031001	81208001	81088004	81120104
Hand wheel diameter	5.0"	6.5"	5.0"	6.5"
Material	Chrome plated brass			
Type	Panel mount		Direct mount	
Supplied with	Panel bushing and two universal swivel joints with protective rubber boots		-	
Panel cut-out	1.125"		-	

Please refer to our website for a current price list and available options and/or accessories



GWR-5



GWR-6.5

