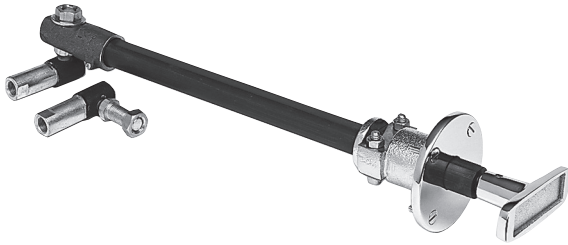


Push-Pull Manual Valve Controls



RC-1

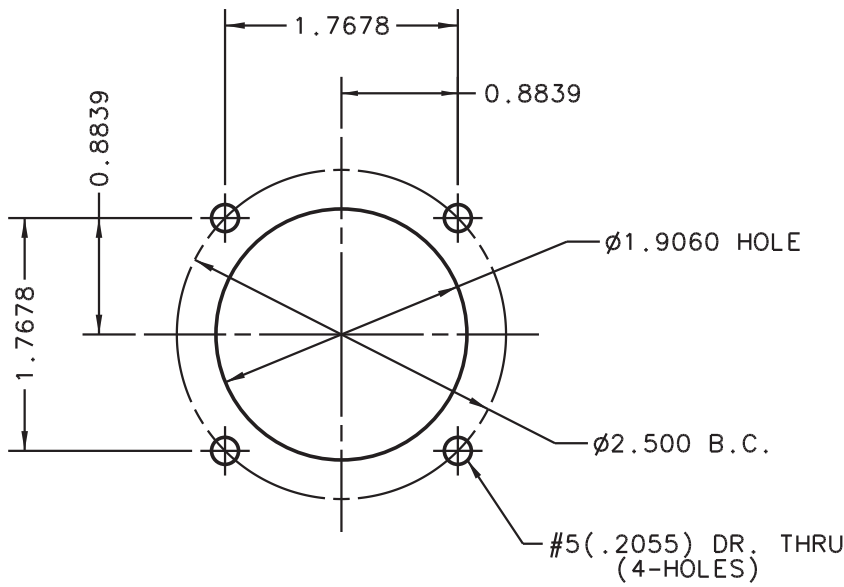


RC-7

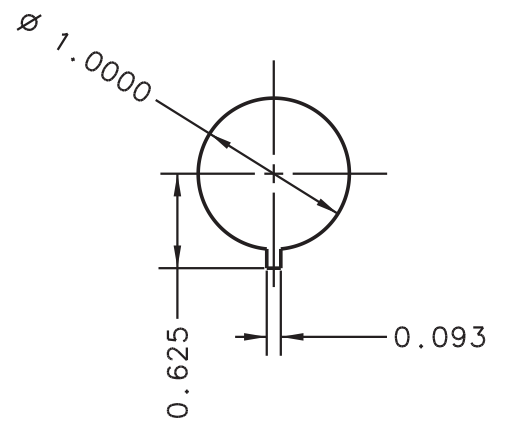
Push-pull control for the operation of in-line quarter turn ball valves. Handle configuration allows identification / location label to be installed.

MODEL	RC-1		RC-7	
Part number	00035004	01638004	01638104	01638204
Travel	11.0"	7.3"	9.8"	11.3"
Handle	Locking	Non-Locking		
Installation diameter	1.9"	1.0"		
Furnished with	Two ball joint swivel connectors	-		
Material	Chrome plated cast brass handle with anodized extruded aluminum rod			
Weight	4.0 lbs.	1.5 lbs.		

Please refer to our website for a current price list and available options and/or accessories



RC-1



RC-7