

**Position Indicating Handwheel for Gear Valves**



**GWP-4**

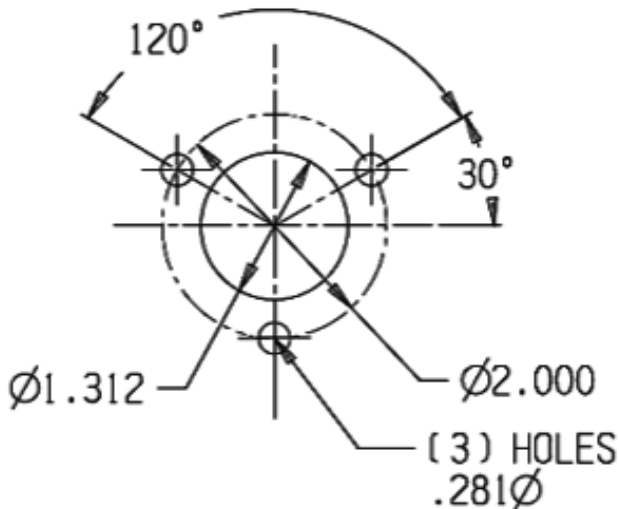


**GWP-6**

Panel mount hand-wheel for operating Elkhart Brass Unibody series gear driven valves. Hand-wheel includes a position indicator dial.

MODEL	GWP-4	GWP-6
Part number	81811000	81813000
Finish	Stainless Steel	Stainless Steel
Hand wheel diameter	4.0"	6"
Material	Stainless Steel	
Travel	12 revolutions close to open	
Panel cut-out	1.312"	
Weight	3.6 lbs.	4.1 lbs.

Please refer to our website for a current price list and available options and/or accessories



**Connecting Rod Detail**

