

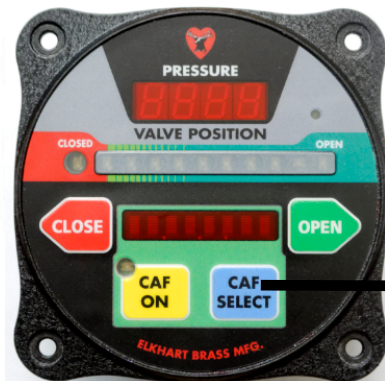
## Intelligent CAF Selector

**ICS** (Intelligent CAF Selector) for Elkhart Brass Unibody series electric valves integrates with Waterous compressed air foam systems to provide one button control of any CAF discharge. With **ICS** equipped Waterous CAFS, producing CAF is extremely simple yet retains the flexibility to produce the right foam at each discharge.

- Press the “CAF ON” button and you have compressed air foam with air and water in the proper proportion. Press “CAF ON” again to operate in water only mode – simple!
- Press “CAF SELECT” to toggle between three discharge settings (wet, medium and dry)
- The **ICS** display keeps you completely informed of CAF mode, valve position and discharge pressure



**ICS** is an integrated CAF discharge controller for any Waterous Eclipse, Platinum or Silver PTO CAFS or integrated crossmount CAFS equipped with an Advantus or Aquis foam management system. **ICS** provides control of a 1.5” – 8” Elkhart Brass Unibody electric water valve and a standard 12-24vdc solenoid air valve. The patented direct absolute valve position feedback only available from the Unibody electric valve allows the **ICS** operator to easily program and select from three CAF modes; *wet CAF, medium CAF and dry CAF or water only*. **ICS** simplifies the pump panel by including all discharge controls and a discharge pressure display in one easy to use, easy to see, easy to program device.



Easily program any water-to-air ratio for each of the three presets: WET CAF, MED CAF, & DRY CAF. The ICS will then let you toggle between settings with a single button push!

<b>Model:</b>	UICS-2
<b>Part #:</b>	08899190
<b>Supply voltage:</b>	12-24vdc
<b>Supply current:</b>	15 amp max
<b>Water valve compatibility:</b>	Unibody electric 1.5” – 8”
<b>Air valve compatibility:</b>	24VDC max, 2amp max
<b>Enclosure:</b>	Positive pressure vented aluminum
<b>Bezel:</b>	Textured black with optional chrome trim ring
<b>Display:</b>	All high intensity with auto dim
<b>Valve position:</b>	10 LED position plus 1 LED closed
<b>Pressure:</b>	8 character LCD programmable for PSI or KPA
<b>CAF mode:</b>	8 character LCD status plus 1 LED on

## Unibody Valve Electric Controller Ordering Guide

Controllers must be ordered separately from the electric valve.

The complete controller part number consists of the base controller part number and four option codes which define the harnesses and sensors that are to be supplied with the controller (*See below*). Complete list price equals the price of the base controller + price of each option.

<b>Examples:</b> 08899190-101218	complete part number for UICS-2 with: Primary controller to valve harness - 10' Primary controller to pressure and flow sensors harness (UBEC 3 only) - 10' Pressure sensor Flow sensor with housing for installation into suitable valve endcap
08899190-130000	complete part number for UICS-2 with: Secondary controller to primary controller harness - 10'

1 - Valve to controller  
(Required for all controllers)

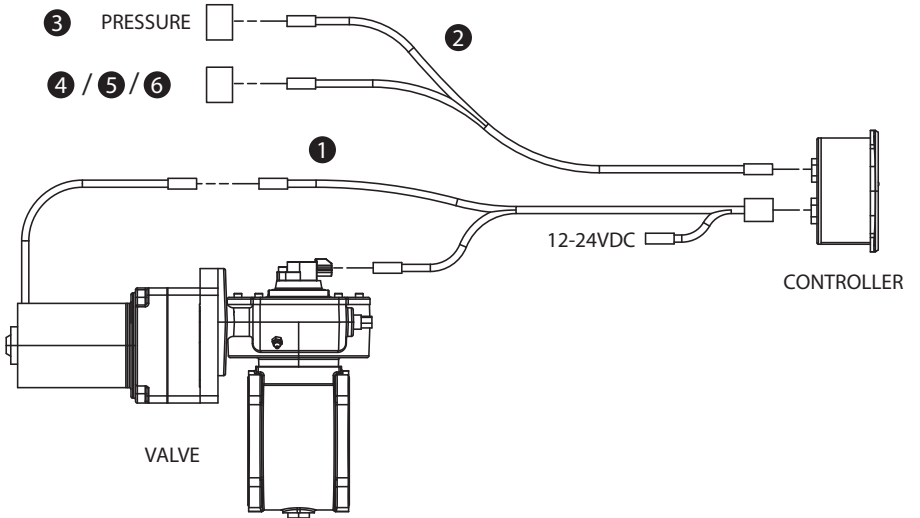
2 - Controller to sensor/actuator  
harness

3 - Pressure sensor

4 - Flow sensor (UBEC3 only)

5 - Flow sensor with saddle  
clamp

6 - Air solenoid valve (UICS2) only  
\* Supplied by others



Please refer to our website for a current price list and available options and/or accessories